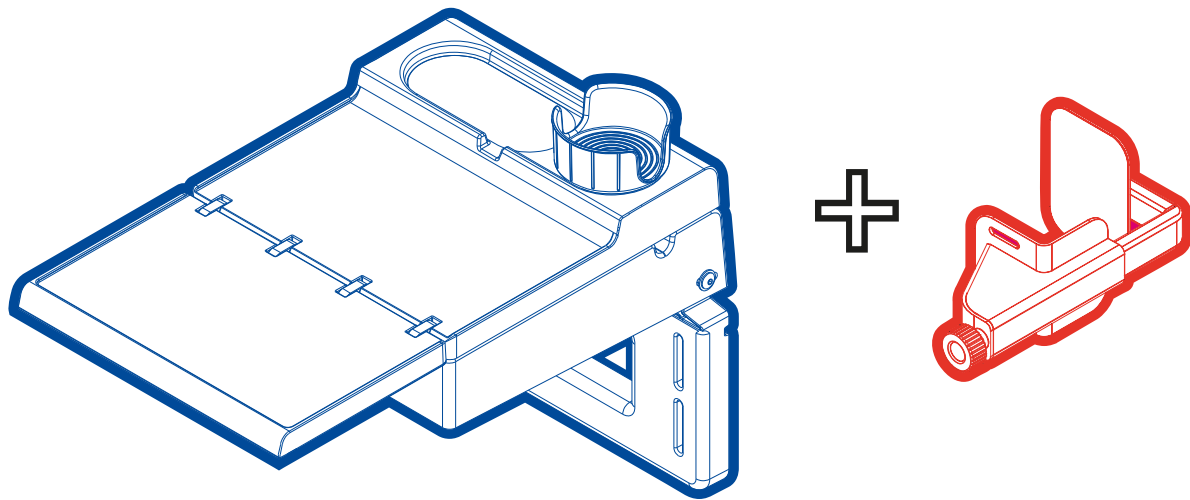




LA TABLETTE FRANÇAISE®

THE FRENCH TAB



ASSEMBLY INSTRUCTIONS

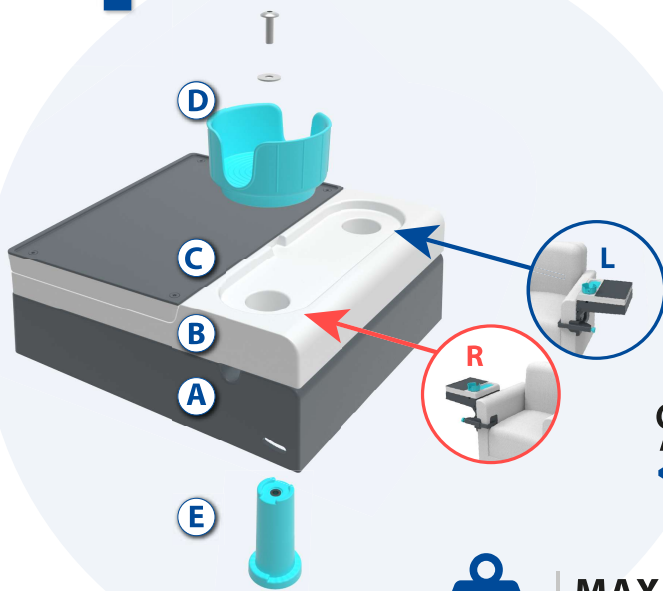


MADE IN FRANCE
Imagined in Tigneu (38)
Designed in Lyon (69)
Made in Ain (01)



inoveo®
design

1 PRESENTATION OF THE TABLET

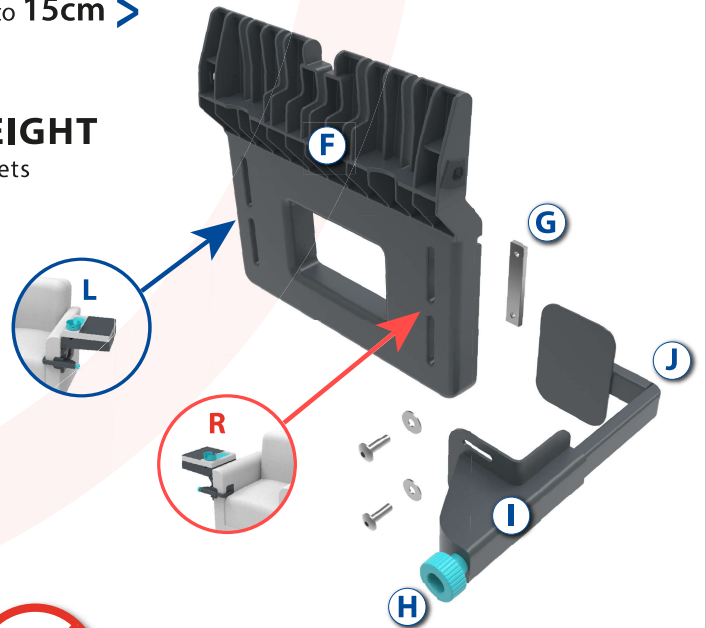


COMPATIBLE
ARMREST WIDTH
< 6 to 15cm >



MAX WEIGHT
on the 2 tablets

- A - Main Tablet
- B - Rotating Tablet
- C - Deployable Tray
- D - Rotating Cup Holder
- E - Cup Holder Support
- F - Vertical Support
- G - Rear Screw Plate
- H - Tightening Wheel
- I - Clamp Part 1 (Fixed)
- J - Clamp Part 2 (Size Adjustment)

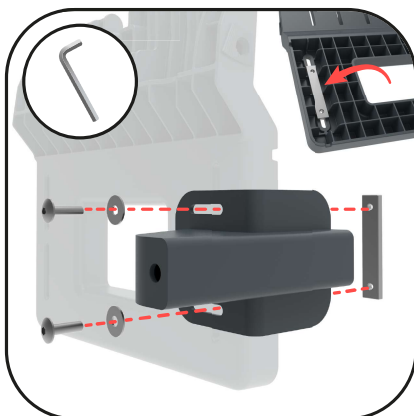


Use only
the provided tool

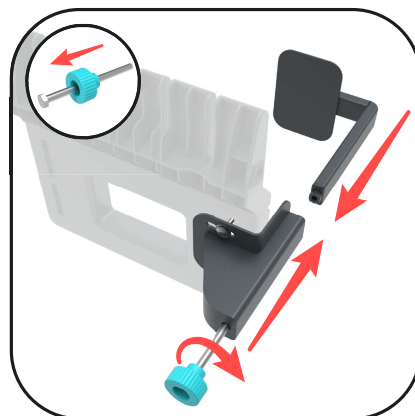


No need
power tools!

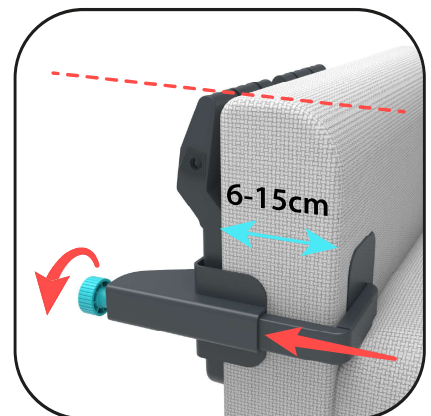
2 CLAMP MOUNTING + VERTICAL SUPPORT



2.1 Choose the left or right armrest mounting, then fix the half-clamp (I) on the vertical support (F) with 2 6x20 screws (and 2 washers) via the rear screw plate (G).



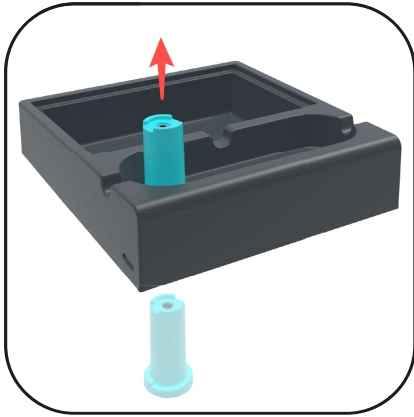
2.2 Complete the clamp by inserting part (J) into part (I) then secure the assembly with the wheel + clamping screw (H)



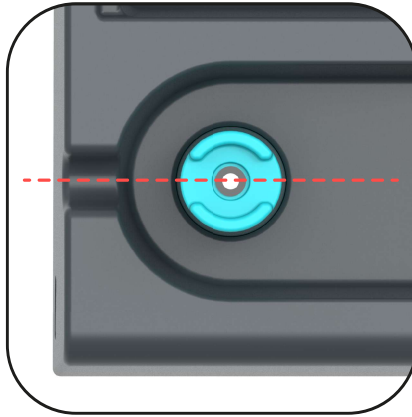
2.3 Position the assembly on the armrest and tighten. The top of the vertical support must be placed level with the top of the armrest.

3

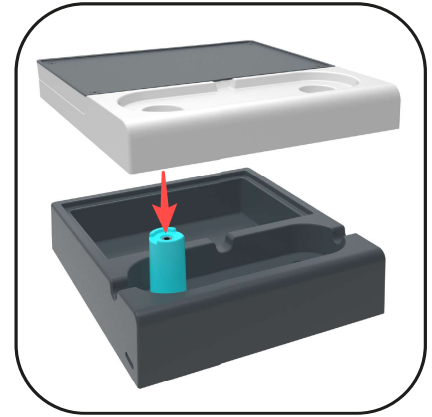
ASSEMBLING THE TWO TABLETS



3.1 Position the support (E) in one of the holes in the tablet (A). Choose the hole according to the choice of armrest (left or right).



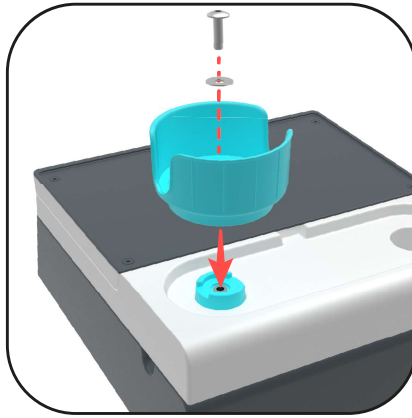
3.2 Hold the support (E) from below and align the notches correctly following the visual above.



3.3 Position the rotating tablet part (B) on the axis (E) while holding it in place.



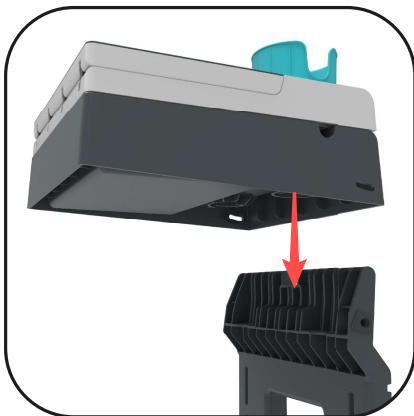
3.4 Position the cup holder (D) on the support (E). Make sure to correctly align the two prints on each side.



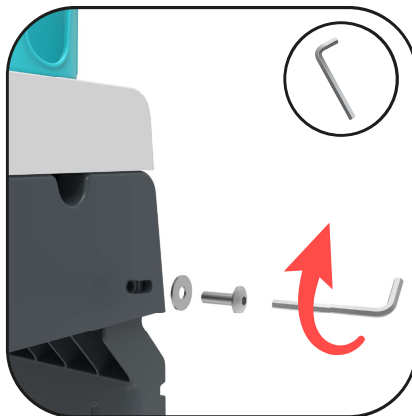
3.5 Proceed to assemble the assembly with a 6x20 screw + a washer.



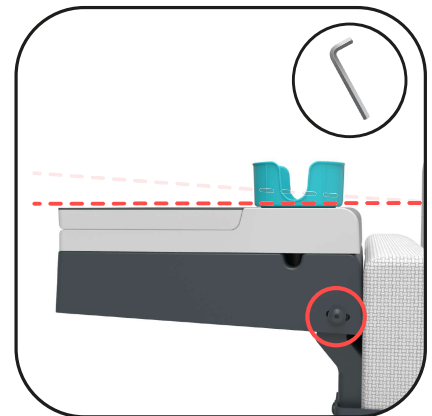
3.6 It is not necessary to overtighten but just to lock the screw.



3.7 Position the set of 2 shelves on the vertical support (F), itself previously mounted on the armrest (see step 2)



3.8 Proceed to assemble the assembly with 2 6x20 screws (+ 2 washers) on each side. Do not tighten too much, just check that the assembly is properly secured.



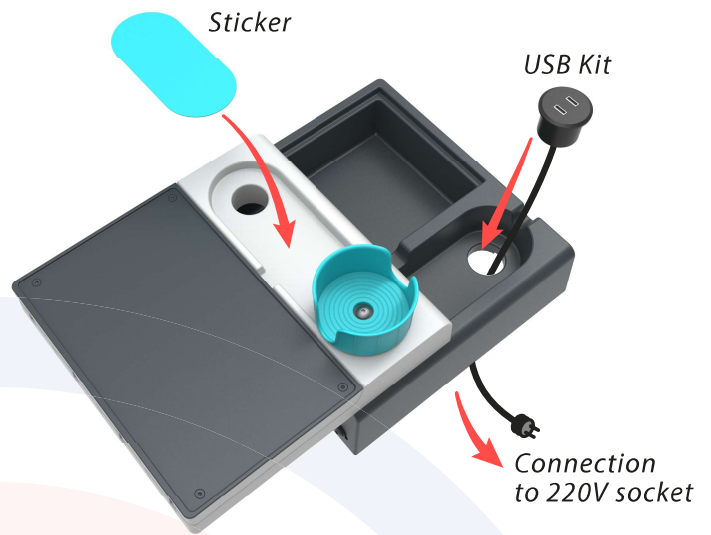
3.9 Before locking the 2 screws, adjust the horizontality in relation to the armrest and if necessary, adjust the final position with the pliers. Then, tighten the wheel (H) again if necessary.

TABLET ROTATION



The cup holder (D) has a mechanical principle that allows the tablet to be locked in the chosen position. Turn it a quarter turn, then hold it while rotating the tablet to the chosen position, then relock it by doing the quarter turn in the other direction.

POSITION OF ACCESSORIES



The sticker covers the unused hole in the rotating tablet (B) depending on the mounting (on a right or left armrest). The USB kit fits into the hole left free in the main tablet (A).

SEE OUR ASSEMBLY VIDEO AVAILABLE ON THE WEBSITE

www.latablettefrancaise.fr



ANY QUESTION ?

bonjour@latablettefrancaise.fr

• IMPORTANT NOTES WHEN USING:

Compatible for armrests with a width of **6 to 15 cm max**

Do not sit or lean on the fixed or mobile tablet • **Maximum authorized weight: 6 kg**

This product is not a toy and must not be used by minors under any circumstances.

Beware of the risk of pinching fingers during certain handling operations.

SAS "La Tablette Française" declines all responsibility in the event of improper use or faulty assembly.

Follow the attached assembly instructions and safety instructions carefully.

• KIT USB 15W : connect to 220V socket only.

Green Light = Plugged in / Red Light = Charging

Important: Avoid contact with water or any other liquid, unplug when cleaning.

Regularly check the cable for damage.

• 2 YEARS WARRANTY

The French Tab® is guaranteed for two years against any manufacturing defect and within the limit of use strictly in accordance with the recommendations.

• COMPATIBILITY WITH ARMCHAIRS AND SOFAS

Although designed to be as universal as possible, it may happen that the French Tab® is not 100% compatible with all armrest shapes, which can make it difficult or even impossible to assemble and use the product. Do not hesitate to contact us!